

T6030L-AFD/T6030R-AFD TOPAZ™ Premium Fiberglass Bathtubs

For Above Floor Drain



TOPAZ™ premium fiberglass bathtubs with classic design, exceptional features, premium construction are now available for an above the floor drain application.



Ideal for high rise and residential homes with slab floors. Allows the bathtub waste drain to run from underneath the bathtub floor to an existing drain pipe.

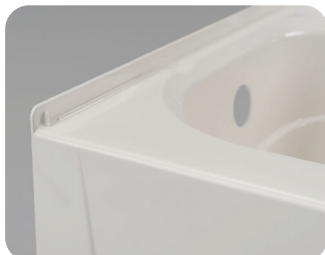
Features

- Bottom of the bathtub is raised 3 1/2" by multiple integrated fiberglass molded supports
- Precision molded from Mustee's premium fiberglass
- Full apron supported by 2 brackets
- Contoured back with a 20° lumbar slope for comfort
- Finish creates deep, long lasting shine
- Slip-resistant bottom
- One piece molded, with matched metal molds
- Fits standard 30" x 60" alcove
- Available in right & left hand drain with an 8 1/2" x 14" offset
- Suitable for use with all popular finished wall treatments
- Mold & mildew resistant – easy to clean

Code Accepted

TOPAZ™ and DURAWALL™ bathtub walls meet or exceed performance requirements

- American National Standards Institute (ANSI) Specification Z 124-2017 
- American Society of Testing & Materials (ASTM) E-84 
- CAN/ULC S102-07 Burn and Smoke Test



Tiling flange barrier rib with recess



Raised bottom for drain

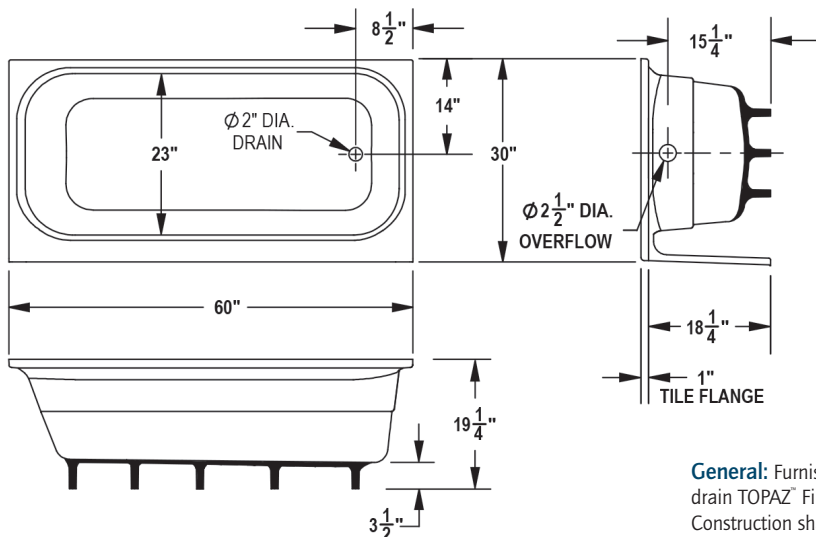


Full apron

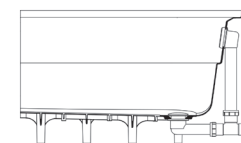


Molded supports and bracket

Specifications



Model	Color	Description
T6030L-AFD	White	30" x 60" Bathtub, Left hand drain
T6030R-AFD	White	30" x 60" Bathtub, Right hand drain



*Drain not included.

General: Furnish and install as shown on plans, E.L. Mustee & Sons Inc, above floor drain TOPAZ™ Fiberglass Bathtub 30" x 60": right hand or left hand Model _____. Construction shall be molded, reinforced fiberglass using matched metal molds under heat and pressure. The bathtub floor is raised 3 1/2" for above floor tub waste. Shall meet ANSI Specification Z 124-2017. Color: White, Install in compliance with local codes.

Matching TOPAZ™ Bathtub Walls to complete your AFD 4 piece Bath/Shower

680 TOPAZ™ Premium Fiberglass Bathtub Walls – Direct-To-Stud Mounted, Code Accepted

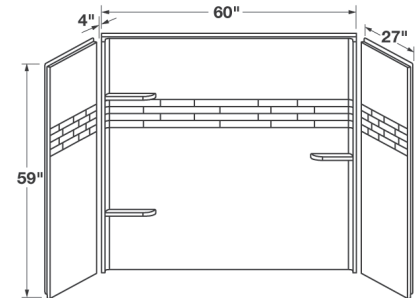


Features

- Compression molded fiberglass for strength
- Fits Topaz™ 30" x 60" Bathtubs and others
- Includes three self-draining selves molded
- Stylish tile pattern
- Three panel system with tongue-and-groove seams for a watertight surround
- Mounts direct-to-stud with mounting flanges hidden behind drywall
- Smooth, colorfast semi-gloss finish, resists scuffs
- Mold and mildew-resistant...easy to clean

Model Color

680WHT	White
680BN	Bone
680BT	Biscuit



670 TOPAZ™ Premium Fiberglass Bathtub Walls – Direct-To-Stud Mounted, Code Accepted

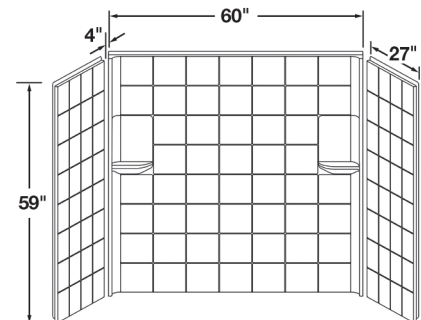


Features

- Embossed 7" x 7" tile pattern
- Compression molded fiberglass for strength
- Fits Topaz™ 30" x 60" Bathtubs and others
- Includes two molded-in self-draining shelves
- Three panel system with tongue-and-groove seams for a watertight surround
- Mounts direct-to-stud with mounting flanges hidden behind drywall
- Smooth, colorfast semi-gloss finish, resists scuffs
- Mold and mildew-resistant...easy to clean

Model Color

670WHT	White
--------	-------



660 TOPAZ™ Premium Fiberglass Bathtub Walls – Direct-To-Stud Mounted, Code Accepted

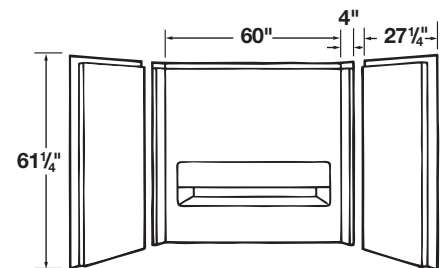


Features

- Compression molded fiberglass for strength
- Fits Topaz™ 30" x 60" Bathtubs and others
- Includes a large, molded-in, self-draining shelf
- Three panel system with tongue-and-groove seams for a watertight surround
- Mounts direct-to-stud with mounting flanges hidden behind drywall
- Smooth, colorfast semi-gloss finish, resists scuffs
- Mold and mildew-resistant...easy to clean

Model Color

660WHT	White
--------	-------



General: Furnish and install as shown on the plans, TOPAZ™ bathtub walls Model: _____ as manufactured by E. L. Mustee & Sons, Inc. Shall be semi-gloss, three-piece wall. Panels are molded fiberglass using matched metal molds under extreme heat and pressure with a uniform thickness of 125 mils and mount direct-to-studwalls. Includes center panel with molded-in shelf and two side panels. Self-aligning panels use a tongue-and-groove connection. Shall meet ANSI Specification Z 124 2017. Color: _____ (White, Bone, Biscuit). Install in compliance with local codes.